

## GAUH Panel Hanger

### Features

- Panel can be easily attached / detached without using tools
- Distance to wall is only 5 mm
- Continuous panels can also be installed easily
- Can prevent warp of large size panels
- Mounting holes can be set in the groove of screw guide (see drawing)

### Material

- Aluminium alloy, anodised silver

### Notes

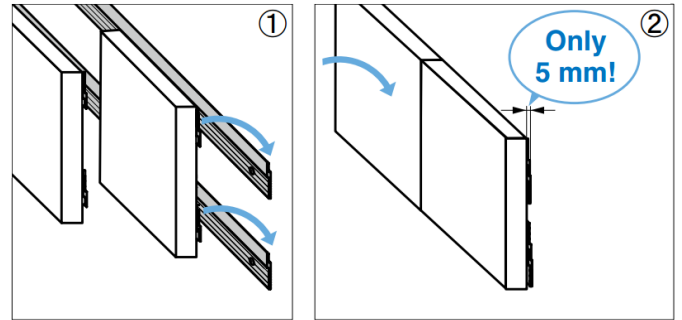
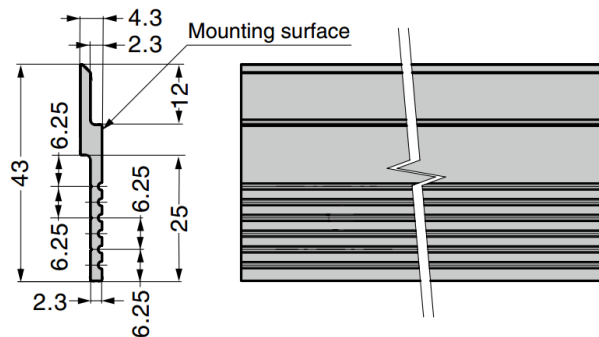
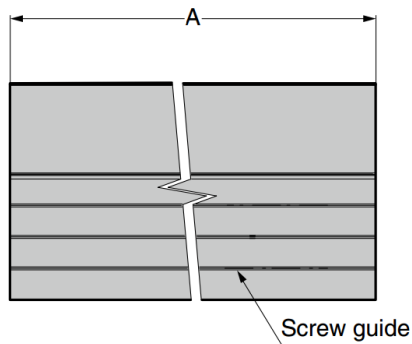
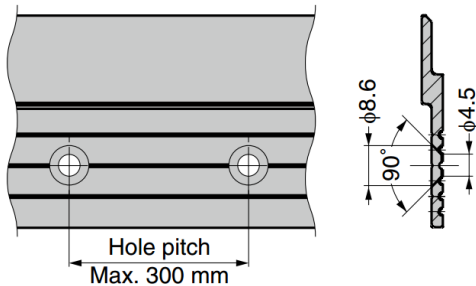
- Install panel and wall in a position with pillar or other solid substrates at the back

### Parts Included

- Countersunk head tapping screw 4

### Cut Out Dimensions

- Mounting holes shall be located symmetrically to the centre of mounting surface, with the pitch below 300 mm



Part No.	A
GAUH-900	900
GAUH-2700	2700